

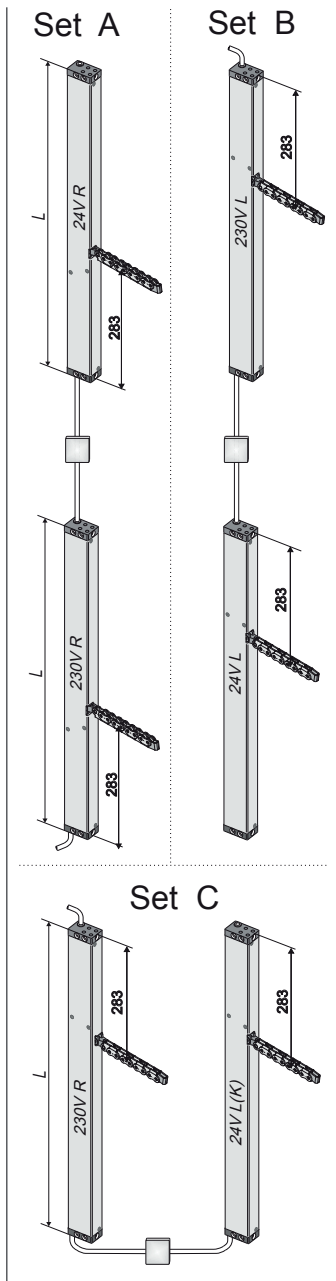


- Application: natural ventilation
- Factory-configured set includes:
  - Master: KS2 xxx S12 230 V AC R / L with voltage output 24 V DC
  - Slave: KS2 xxx S12 24 V DC R / L with connection cable on the motor side
  - KS2 xxx S12 24 V DC L-K with connection cable on the chain side

- Parallel connection up to 8 sets of drives in one group
- Junction box to be site supplied

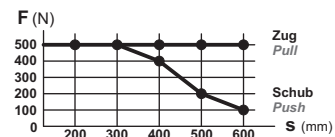
**Options:**

- Programmable special functions and sequence control with locking drives (S3 / S12)
- Screw terminal connections in drive housing upon request



### TECHNICAL DATA

<b>U<sub>N</sub></b>	Rated voltage	230V AC (50 Hz)
<b>I<sub>N</sub></b>	Rated current	0,15 A
<b>I<sub>A</sub></b>	Cut-off current	0,2 A
<b>P<sub>N</sub></b>	Rated power	35 W
<b>DC</b>	Duty cycle	5 cycles (ED 30 % - ON: 3 min./OFF: 7 min.)
	Protection rating	IP 32
	Ambient temperature range	-5 °C ... +60 °C
<b>F<sub>Z</sub></b>	Pulling force max.	2 x 250 N
<b>F<sub>A</sub></b>	Pushing force max.	



s > 600 mm only for pulling application

<b>F<sub>H</sub></b>	Pullout force	1.800 N (fastening depended)
	Chain	Stainless steel, without protruding rivet heads. Simple connection to casement brackets. Small bending radii allow maximum opening angles of small windows.
	Connecting cable	Master: non-halogen, grey 6 x 0,75 mm <sup>2</sup> , ~ 3 m 5 x 0,5 mm <sup>2</sup> , ~ 3 m Slave: non-halogen, grey 5 x 0,5 mm <sup>2</sup> , ~ 3 m
<b>v</b>	Speed	8,0 mm/s  8,0 mm/s
<b>s</b>	Stroke	50 – 1000 mm
<b>L</b>	Length	see order data
	Sound pressure level	≤ 70 dB (A)

ORDER DATA						
s [mm]	L [mm]	Version	Finish	PU/pcs.	Part.-No.	
200	475	KS2 200 S12 230V Set A (R/R)	E6/C-0	1	494220	
		KS2 200 S12 230V Set B (L/L)	E6/C-0	1	494320	
		KS2 200 S12 230V Set C (R/L-K)	E6/C-0	1	494420	
300	520	KS2 300 S12 230V Set A (R/R)	E6/C-0	1	494230	
		KS2 300 S12 230V Set B (L/L)	E6/C-0	1	494330	
		KS2 300 S12 S 230V et C (R/L-K)	E6/C-0	1	494430	
400	570	KS2 400 S12 230V Set A (R/R)	E6/C-0	1	494240	
		KS2 400 S12 230V Set B (L/L)	E6/C-0	1	494340	
		KS2 400 S12 230V Set C (R/L-K)	E6/C-0	1	494440	
500	685	KS2 500 S12 230V Set A (R/R)	E6/C-0	1	494250	
		KS2 500 S12 230V Set B (L/L)	E6/C-0	1	494350	
		KS2 500 S12 230V Set C (R/L-K)	E6/C-0	1	494450	
600	685	KS2 600 S12 230V Set A (R/R)	E6/C-0	1	494260	
		KS2 600 S12 230V Set B (L/L)	E6/C-0	1	494360	
		KS2 600 S12 230V Set C (R/L-K)	E6/C-0	1	494460	
800	765	KS2 800 S12 230V Set A (R/R)	E6/C-0	1	494280	
		KS2 800 S12 230V Set B (L/L)	E6/C-0	1	494380	
		KS2 800 S12 230V Set C (R/L-K)	E6/C-0	1	494480	

OPTIONS						
Special model		PU/pcs.	Part.-No.			
<b>Drive housing painted/powder coated in other RAL colours</b>						
<b>Lump sum for coating</b>					516030	
Specify at order stage:		1 – 20	516004			
		21 – 50	516004			
		51 – 100	516004			
		from 101	516004			
<b>Extra length connecting cable:</b>						
5 m – non-halogen, grey – 6 x 0,75 mm <sup>2</sup>					501164	
10 m – non-halogen, grey – 6 x 0,75 mm <sup>2</sup>					501166	
5 m – non-halogen, grey – 5 x 0,5 mm <sup>2</sup>					501054	
10 m – non-halogen, grey – 5 x 0,5 mm <sup>2</sup>					501056	
<b>Microprocessor programming S12</b>						
Programming synchronised multi-drive systems 230V S12					495588	