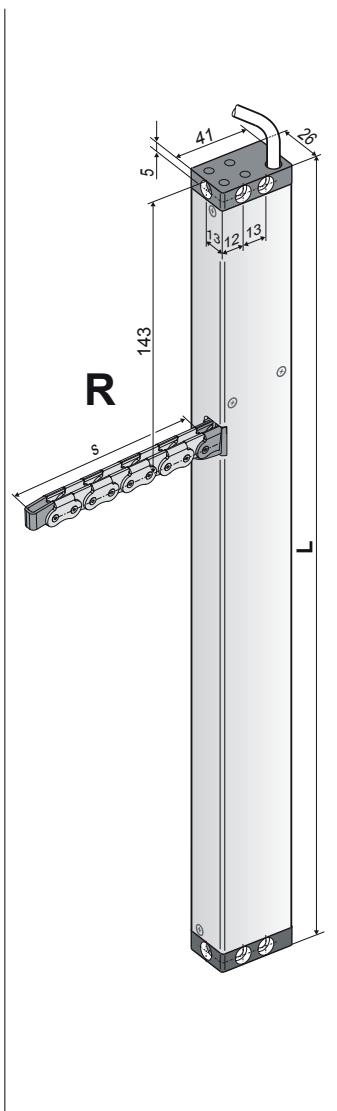


- Application: natural ventilation, SHEV, ferralux®-NSHEV
- Internal Intelligent Control Electronics S12
- Z-Version: Programmable feedback limit position „OPEN“ and „CLOSE“ (max. 24 V, 500 mA)

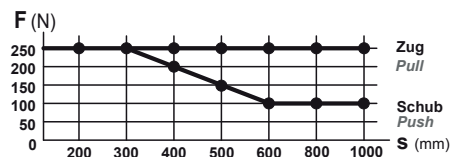
Options

- Programmable special functions
- M-COM for automatic synchronised run of multi drive systems and automatic sequence control with locking drives (S3 / S12)



TECHNICAL DATA

U_N	Rated voltage	24V DC (19 V ... 28 V)
I_N	Rated current	0,7 A
I_A	Cut-off current	1,0 A
P_N	Rated power	17 W
DC	Duty cycle	5 cycles (ED 30 % - ON: 3 min./OFF: 7 min.)
	Protection rating	IP 32
	Ambient temperature range	-5 °C ... +60 °C
F_Z	Pulling force max.	250 N
F_A	Pushing force max.	



s > 600 mm only for pulling application

F_H	Pullout force	1.800 N (fastening depended)									
	Chain	Stainless steel, without protruding rivet heads. Simple connection to casement brackets. Small bending radii allow maximum opening angles of small windows.									
	Connecting cable	non-halogen, grey 5 x 0,5 mm ² , ~ 3 m									
v	Speed	<table border="0"> <tr> <td>s < 400</td> <td> 8,0 mm/s</td> <td> 8,0 mm/s</td> </tr> <tr> <td>s 500 – 600</td> <td> 12,0 mm/s</td> <td> 8,0 mm/s</td> </tr> <tr> <td>s > 600</td> <td> 13,5 mm/s</td> <td> 8,0 mm/s</td> </tr> </table>	s < 400	8,0 mm/s	8,0 mm/s	s 500 – 600	12,0 mm/s	8,0 mm/s	s > 600	13,5 mm/s	8,0 mm/s
s < 400	8,0 mm/s	8,0 mm/s									
s 500 – 600	12,0 mm/s	8,0 mm/s									
s > 600	13,5 mm/s	8,0 mm/s									
s	Stroke	50 – 1000 mm									
L	Length	see order data									
	Sound pressure level	≤ 70 dB (A)									

ORDER DATA							
s [mm]	L [mm]	Version	Finish	PU/pcs.	Part.-No.		
200	335	KS2 200 S12 24V R	E6/C-0	1	521620		
		KS2 200 S12 24V Z R	E6/C-0	1	521623		
300	380	KS2 300 S12 24V R	E6/C-0	1	521630		
		KS2 300 S12 24V Z R	E6/C-0	1	521633		
400	430	KS2 400 S12 24V R	E6/C-0	1	521640		
		KS2 400 S12 24V Z R	E6/C-0	1	521643		
500	545	KS2 500 S12 24V R	E6/C-0	1	521650		
		KS2 500 S12 24V Z R	E6/C-0	1	521653		
600	545	KS2 600 S12 24V R	E6/C-0	1	521660		
		KS2 600 S12 24V Z R	E6/C-0	1	521663		
800	625	KS2 800 S12 24V R	E6/C-0	1	521680		
		KS2 800 S12 24V Z R	E6/C-0	1	521683		

OPTIONS							
Special model		PU/pcs.	Part.-No.				
Drive housing painted/powder coated in other RAL colours							
Lump sum for coating				516030			
Specify at order stage:		1 – 20		516004			
		21 – 50		516004			
		51 – 100		516004			
		from 101		516004			
Extra length connecting cable:							
5 m – non-halogen, grey – 5 x 0,5 mm ²				501054			
10 m – non-halogen, grey – 5 x 0,5 mm ²				501056			
Microprocessor programming S12							
Electronic stroke reduction 24V S12				524190			
Programming drives 24V / 230V S12				524180			
Optional accessories			PU/pcs.	Part.-No.			
M-COM Configuration module for synchronised multi-drive systems			1	524177			