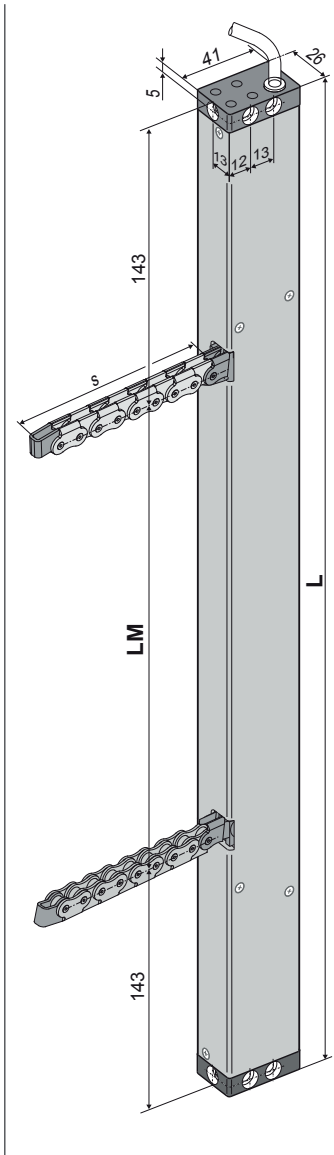




- Application: natural ventilation, SHEV, ferralux®-NSHEV
- Internal Intelligent Control Electronics S12
- Z-Version: Programmable feedback limit position „OPEN“ and „CLOSE“ (max. 24 V, 500 mA)

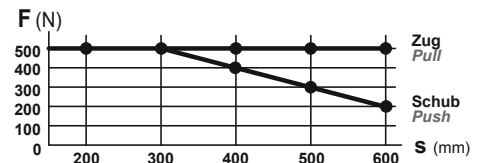
Options

- Programmable special functions
- M-COM for automatic synchronised run of multi drive systems and automatic sequence control with locking drives (S3 / S12)



TECHNICAL DATA

U_N	Rated voltage	24V DC (19 V ... 28 V)
I_N	Rated current	1,4 A
I_A	Cut-off current	2,0 A
P_N	Rated power	34 W
DC	Duty cycle	5 cycles (ED 30 % - ON: 3 min./OFF: 7 min.)
	Protection rating	IP 32
	Ambient temperature range	-5 °C ... +60 °C
F_Z	Pulling force max.	500 N
F_A	Pushing force max.	



F_H	Pullout force	1.800 N (fastening depended)
	Chain	Stainless steel, without protruding rivet heads. Simple connection to casement brackets. Small bending radii allow maximum opening angles of small windows.
	Connecting cable	non-halogen, grey 5 x 0,5 mm ² , ~ 3 m
v	Speed	$s < 400$ ↖ 8,0 mm/s ↘ 8,0 mm/s $s 500 - 600$ ↖ 12,0 mm/s ↘ 8,0 mm/s
s	Stroke	50 – 600 mm
L	Length	see order data
LM	Distance in between chains	see order data
	Sound pressure level	≤ 70 dB (A)

ORDER DATA							
s [mm]	L [mm]	LM [mm]	Version	Finish	PU/pcs.	Part.-No.	
200	640	354	KS2 TWIN 200 S12 24V	E6/C-0	1	521820	
			KS2 TWIN 200 S12 24V Z	E6/C-0	1	521823	
400	830	544	KS2 TWIN 400 S12 24V	E6/C-0	1	521840	
			KS2 TWIN 400 S12 24V Z	E6/C-0	1	521843	
500	1060	774	KS2 TWIN 500 S12 24V	E6/C-0	1	521850	
			KS2 TWIN 500 S12 24V Z	E6/C-0	1	521853	
600	1060	774	KS2 TWIN 600 S12 24V	E6/C-0	1	521860	
			KS2 TWIN 600 S12 24V Z	E6/C-0	1	521863	

OPTIONS			
Special model	PU/pcs.	Part.-No.	
Drive housing painted/powder coated in other RAL colours			
Lump sum for coating		516030	
Specify at order stage:	1 – 20	516004	
	21 – 50	516004	
	51 – 100	516004	
	from 101	516004	
Extra length connecting cable:			
5 m – non-halogen, grey – 5 x 0,5 mm ²		501054	
10 m – non-halogen, grey – 5 x 0,5 mm ²		501056	
Microprocessor programming S12			
Electronic stroke reduction 24V S12		524190	
Programming drives 24V / 230V S12		524180	
Optional accessories			
M-COM Configuration module for synchronised multi-drive systems	1	524177	