

- Application: natural ventilation, SHEV, ferralux®-NSHEV
- Internal Intelligent Control Electronics S12
- Feedback limit position „CLOSE“ (max. 24 V, 500 mA)

### Equipment

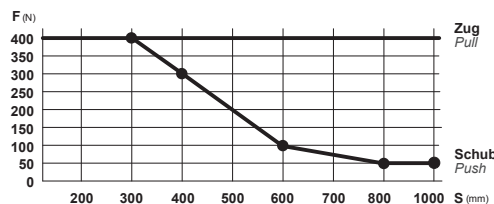
- Additional **AUMÜLLER-Click plug set** for multi-drive operation

### Options

- Programmable special functions
- Programmable feedback limit position „OPEN“ (max. 24V, 500 mA)
- M-COM for automatic synchronised run of multi drive systems and automatic sequence control with locking drives (S3 / S12)

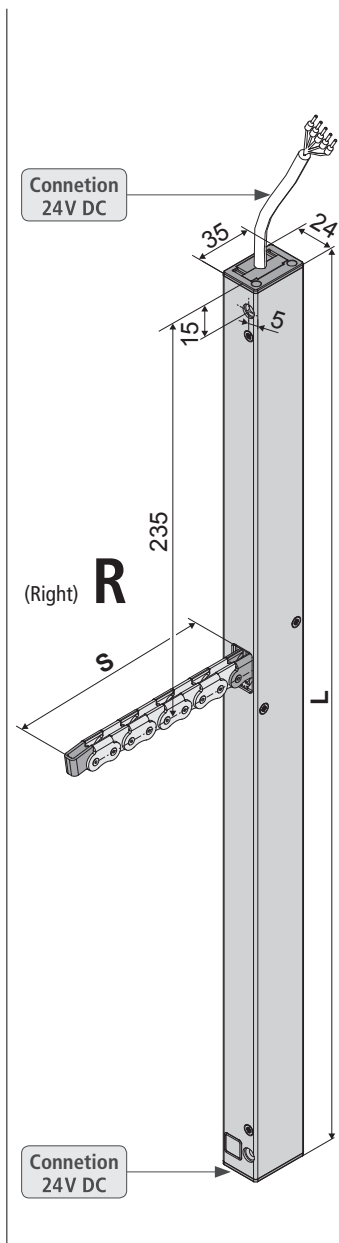
### TECHNICAL DATA

|           |                           |   |
|-----------|---------------------------|---|
| $U_N$     | Rated voltage             | 24V DC (19 V ... 28 V)                      |
| $I_N$     | Rated current             | 0,9 A                                       |
| $I_A$     | Cut-off current           | 1,2 A                                       |
| $P_N$     | Rated power               | 22 W  |
| <b>DC</b> | Duty cycle                | 5 cycles (ED 30 % - ON: 3 min./OFF: 7 min.) |
|           | Protection rating         | IP 32                                       |
|           | Ambient temperature range | -5 °C ... +60 °C                            |
| $F_Z$     | Pulling force max.        | 400 N                                       |
| $F_A$     | Pushing force max.        |   |

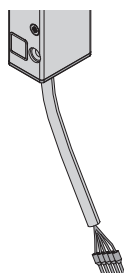


s > 600 mm only for pulling application

|          |                      |   |
|----------|----------------------|---|
| $F_H$    | Pullout force        | 1.800 N (fastening depended)  |
|          | Chain                | Stainless steel, without protruding rivet heads. Simple connection to casement brackets. Small bending radii allow maximum opening angles of small windows. |
|          | Connecting cable     | non-halogen, grey 5 x 0,5 mm <sup>2</sup> , ~ 2 m   |
| <b>v</b> | Speed                | $s < 400$ 8,0 mm/s     8,0 mm/s<br>$s 500 - 600$ 12,0 mm/s     8,0 mm/s<br>$s > 600$ 13,5 mm/s     8,0 mm/s   |
| <b>s</b> | Stroke               | 50 – 1000 mm  |
| <b>L</b> | Length               | see order data  |
|          | Feedback contact     | limit position „CLOSE“ (max. 24V, 500 mA)   |
|          | Sound pressure level | ≤ 70 dB (A)   |



### OPTION



**AUMÜLLER** chain drives have an integrated cable routing with connection sockets on both housing ends. This enables the following options:

- **AUMÜLLER-Click** plug solution with various cabel lengths  
Part.-No.: 501251 - 3 m cable length / 501252 - 5 m cable length / 501253 - 10 m cable length
- Series connection of several drives into multi drive systems
- Power supply from both sides

| ORDER DATA |        |                    |        |           |           |  |  |
|------------|--------|--------------------|--------|-----------|-----------|--|--|
| s [mm]     | L [mm] | Version            | Finish | PU / pcs. | Part.-No. |  |  |
| 200        | 455    | KS4 200 S12 24V R  | E6/C-0 | 1         | 522020    |  |  |
| 300        | 551    | KS4 300 S12 24V R  | E6/C-0 | 1         | 522030    |  |  |
| 400        | 551    | KS4 400 S12 24V R  | E6/C-0 | 1         | 522040    |  |  |
| 500        | 665    | KS4 500 S12 24V R  | E6/C-0 | 1         | 522050    |  |  |
| 600        | 665    | KS4 600 S12 24V R  | E6/C-0 | 1         | 522060    |  |  |
| 800        | 755    | KS4 800 S12 24V R  | E6/C-0 | 1         | 522080    |  |  |
| 1000       | 868    | KS4 1000 S12 24V R | E6/C-0 | 1         | 522000    |  |  |

| OPTIONS   |           |           |  |  |  |  |  |
|---|-----------|-----------|--|--|--|--|--|
| Special model   | PU / pcs. | Part.-No. |  |  |  |  |  |
| <b>Drive housing painted/powder coated in other RAL colours</b>                         |           |           |  |  |  |  |  |
| <b>Lump sum for coating</b>   |           | 516030    |  |  |  |  |  |
| Specify at order stage:   | 1 – 20    | 516004    |  |  |  |  |  |
|   | 21 – 50   | 516004    |  |  |  |  |  |
|   | 51 – 100  | 516004    |  |  |  |  |  |
|   | from 101  | 516004    |  |  |  |  |  |
| <b>Plug solution:</b>   |           |           |  |  |  |  |  |
| <b>AUMÜLLER-Click plug solution - 3 m – non-halogen, grey – 5 x 0,5 mm<sup>2</sup></b>  |           | 501251    |  |  |  |  |  |
| <b>AUMÜLLER-Click plug solution - 5 m – non-halogen, grey – 5 x 0,5 mm<sup>2</sup></b>  |           | 501252    |  |  |  |  |  |
| <b>AUMÜLLER-Click plug solution - 10 m – non-halogen, grey – 5 x 0,5 mm<sup>2</sup></b> |           | 501253    |  |  |  |  |  |
| <b>Microprocessor programming S12</b>   |           |           |  |  |  |  |  |
| Electronic stroke reduction 24V S12   |           | 524190    |  |  |  |  |  |
| Programming drives 24V / 230V S12   |           | 524180    |  |  |  |  |  |
| <b>Optional accessories</b>   |           |           |  |  |  |  |  |
|   | PU / pcs. | Part.-No. |  |  |  |  |  |
| M-COM® Click Configuration module for synchronised multi-drive systems                  | 1         | 524167    |  |  |  |  |  |
| M-COM Configuration module for synchronised multi-drive systems                         | 1         | 524177    |  |  |  |  |  |