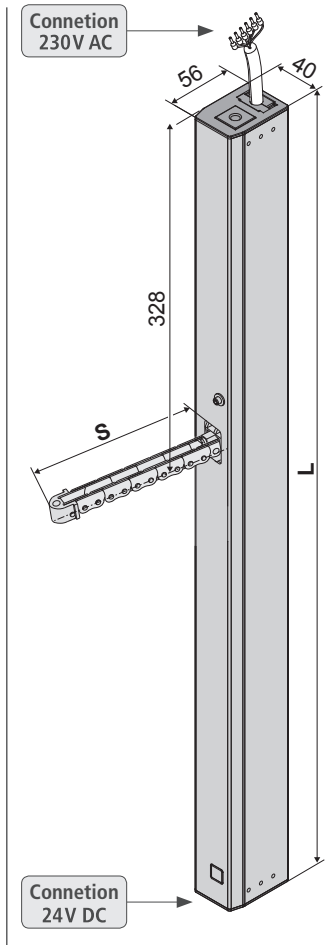




- Application: natural ventilation
- Internal Intelligent Control Electronics S12
- Adjustable chain tension / Mechanical chain unlocking
- Programmable feedback limit position „OPEN“ and „CLOSE“ (max. 24V, 500 mA)
- Parallel connection up to 8 drives in one group
- Additional connection of a 24V drive possible (on the 24V side)

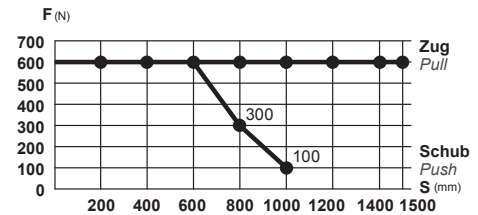
Equipment

- Additional **AUMÜLLER-Click plug set** for multi-drive operation



TECHNICAL DATA

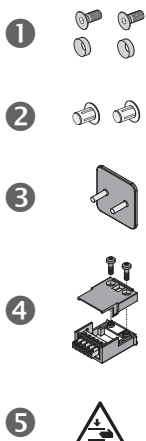
U_N	Rated voltage	230V AC (50 Hz)
I_N	Rated current	0,2 A
I_A	Cut-off current	0,2 A
P_N	Rated power	46 W
DC	Duty cycle	5 cycles (ED 30 % - ON: 3 min./OFF: 7 min.)
	Protection rating	IP 32
	Ambient temperature range	-5 °C ... +60 °C
F_Z	Pulling force max.	600 N
F_A	Pushing force max.	



F_H	Pullout force	3.000 N (fastening depended)
	Chain	stainless steel
	Connecting cable	non-halogen, grey 6 x 0,75 mm ² , ~ 3 m
v	Speed	8,0 mm/s 8,0 mm/s
s	Stroke	250 – 1.500 mm
L	Length	see order data
	Sound pressure level	≤70 dB (A)

In delivery

- 1 2x countersunk screws M8x16 and 2x Spacer ring (brass)
- 2 2x blind plug for unused cable entry
- 3 1x chain unlocking key
- 4 1x **AUMÜLLER-Click plug set** (24V) for multi-drive operation
- 5 1x warning sign sticker „Risk of entrapment“



ORDER DATA						
s [mm]	L [mm]	Version	Finish	PU / pcs.	Part.-No.	
250	591	KSA 250 S12 230V Z	E6/C-0	1	497023	
300	667	KSA 300 S12 230V Z	E6/C-0	1	497033	
400	667	KSA 400 S12 230V Z	E6/C-0	1	497043	
500	769	KSA 500 S12 230V Z	E6/C-0	1	497053	
600	769	KSA 600 S12 230V Z	E6/C-0	1	497063	
800	870	KSA 800 S12 230V Z	E6/C-0	1	497083	
1000	972	KSA 1000 S12 230V Z	E6/C-0	1	497113	
1200	1074	KSA 1200 S12 230V Z	E6/C-0	1	497123	
1500	1227	KSA 1500 S12 230V Z	E6/C-0	1	497153	

OPTIONS			
Special model	PU / pcs.	Part.-No.	
Drive housing painted/powder coated in other RAL colours			
Lump sum for coating		516030	
Specify at order stage:	1 – 20	516004	
	21 – 50	516004	
	51 – 100	516004	
	from 101	516004	
Plug solution:			
AUMÜLLER-Click plug solution - 5 m – non-halogen, grey – 6 x 0,75 mm²		501275	
AUMÜLLER-Click plug solution - 10 m – non-halogen, grey – 6 x 0,75 mm²		501280	
Microprocessor programming S12			
Electronic stroke reduction 230V S12		495590	
Programming drives 24V / 230V S12		524180	
Optional accessories			
M-COM® Click Configuration module for synchronised multi-drive systems	1	524167	
M-COM Configuration module for synchronised multi-drive systems	1	524177	